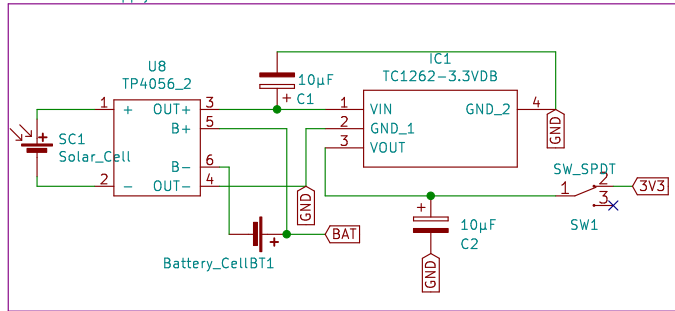
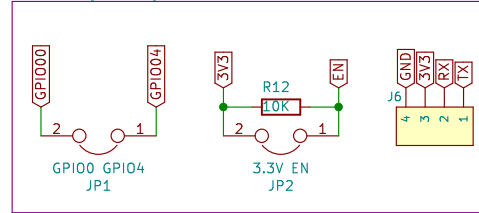


Sheet: PowerSupply



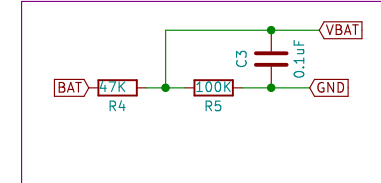
File: PowerSupply.sch

Sheet: ProgrammingPorts



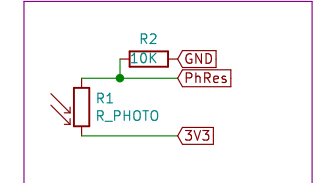
File: ProgrammingPorts.sch

Sheet: BATMonitor



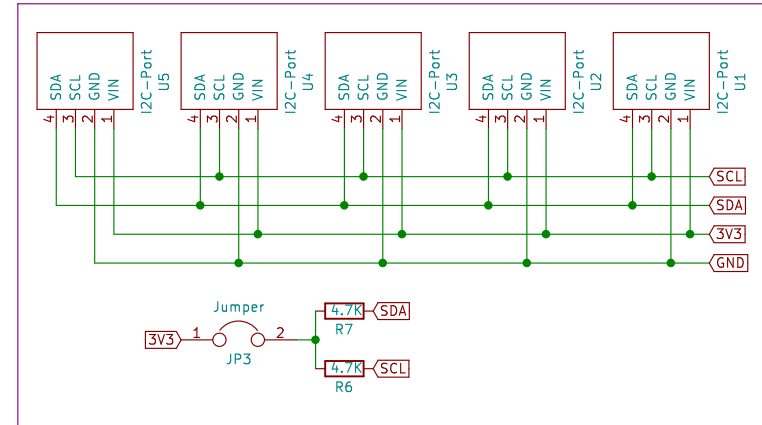
File: BATMonitor.sch

Sheet: PhotoResistor



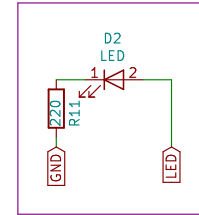
File: PhotoResistor.sch

Sheet: I2C



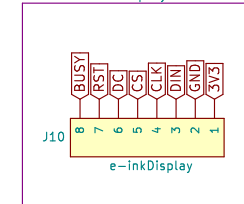
File: I2C.sch

Sheet: LED



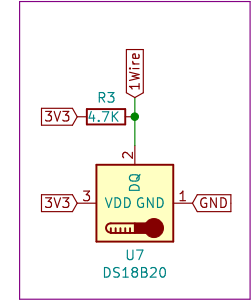
File: LED.sch

Sheet: e-inkDisplay



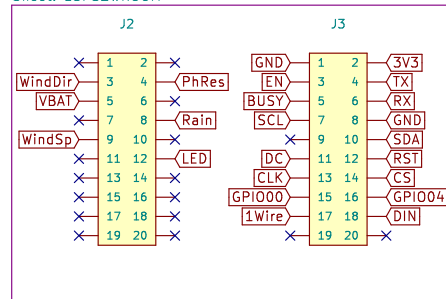
File: e-inkDisplay.sch

Sheet: 1Wire.sch



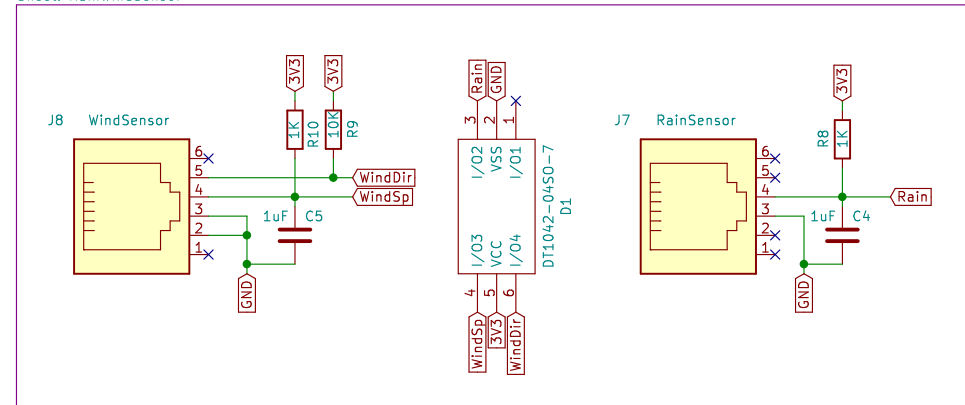
File: 1Wire.sch

Sheet: ESP32WROOM



File: ESP32WROOM.sch

Sheet: RainWindSensor



File: RainWindSensor.sch

Designed by J. Hughes & Th. Krebs

Sheet: /
File: Wetterstation3-2.sch

Title: Waetherstation

Size: A4 Date: 2021-08-18
KiCad E.D.A. kicad (5.1.10)-1

Rev: Version3.2
Id: 1/11